

Rev Ind	Revision	Appd	Date

### Bushing Data:

Rated Voltage	123	kV
Phase to-earth Voltage	84	kV
Dry Lightning Impulse I, 2/50µs	450	kV
Wet Switching Impulse	300	kV
Wet Power frequency AC	170	kV
Routine test Imin dry 50Hz	185	kV
Rated Current	5000	A
Creepage Distance	2380	mm
Mass	250	kg

### Ordering Data:

**BUSHING** COLOUR AIR INSULATOR  
 LF121052 -F / -AF BROWN / LIGHT GREY

**OUTER TERMINAL**

	H2	D2
	(mm)	(mm)
LF170 073-A Al	125	60
LF170 073-B Cu	125	60
LF170 073-G Cu/Ag	125	60
OTHER TYPES ON REQUEST		

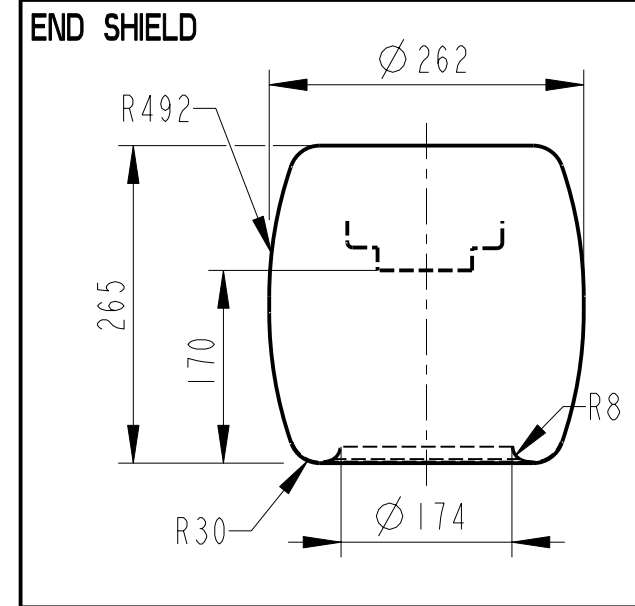
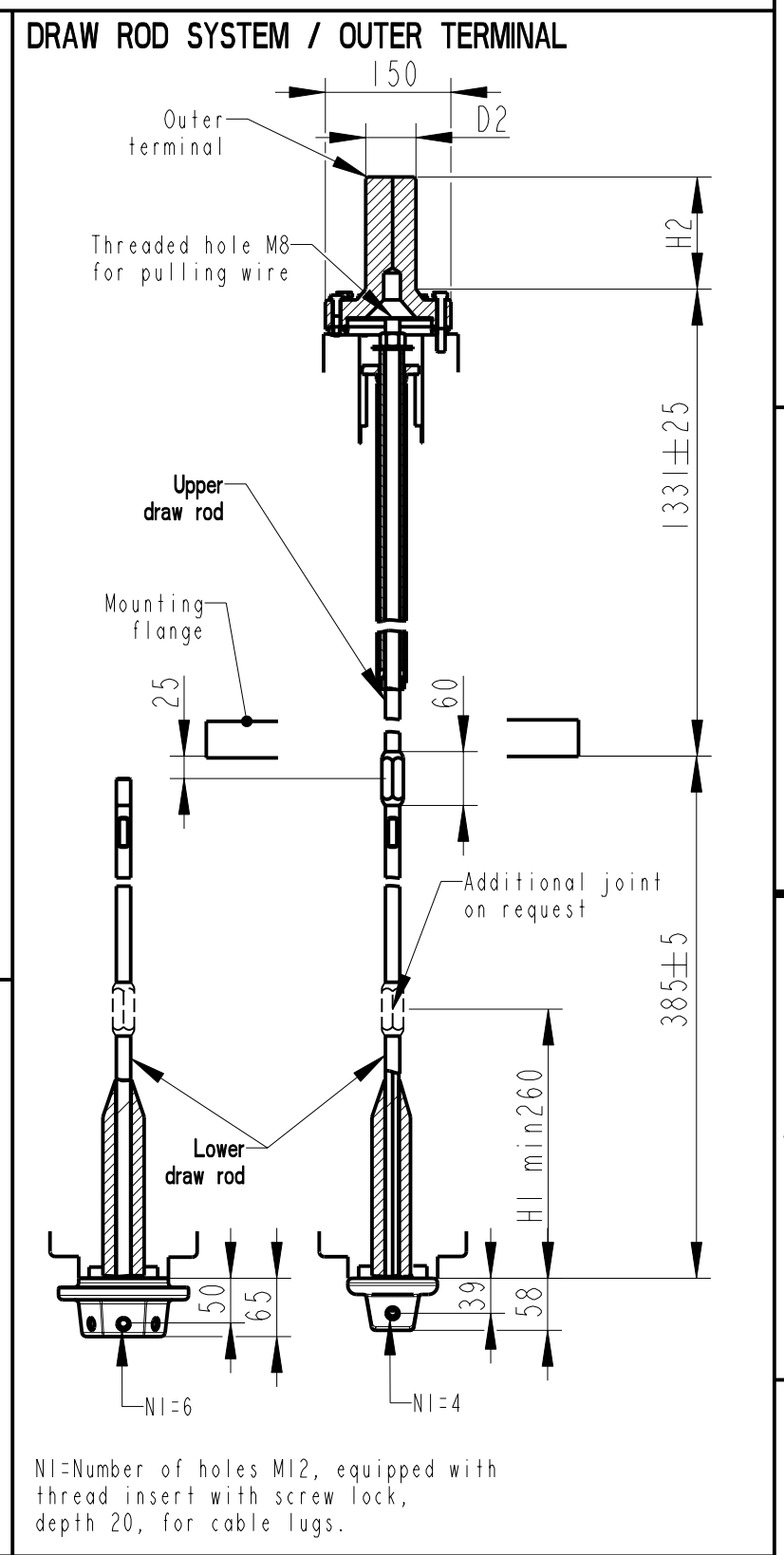
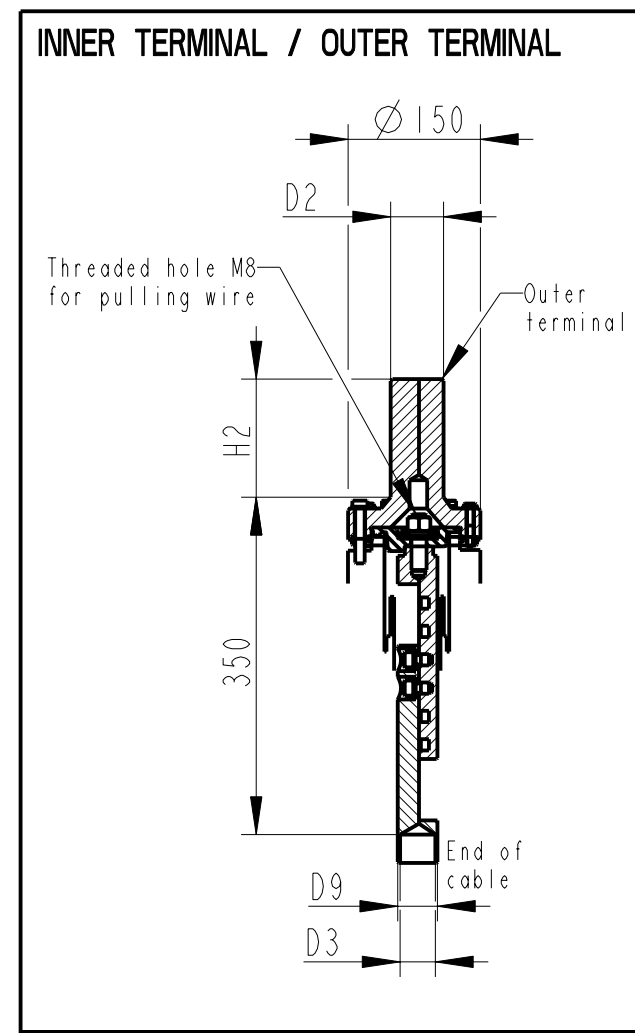
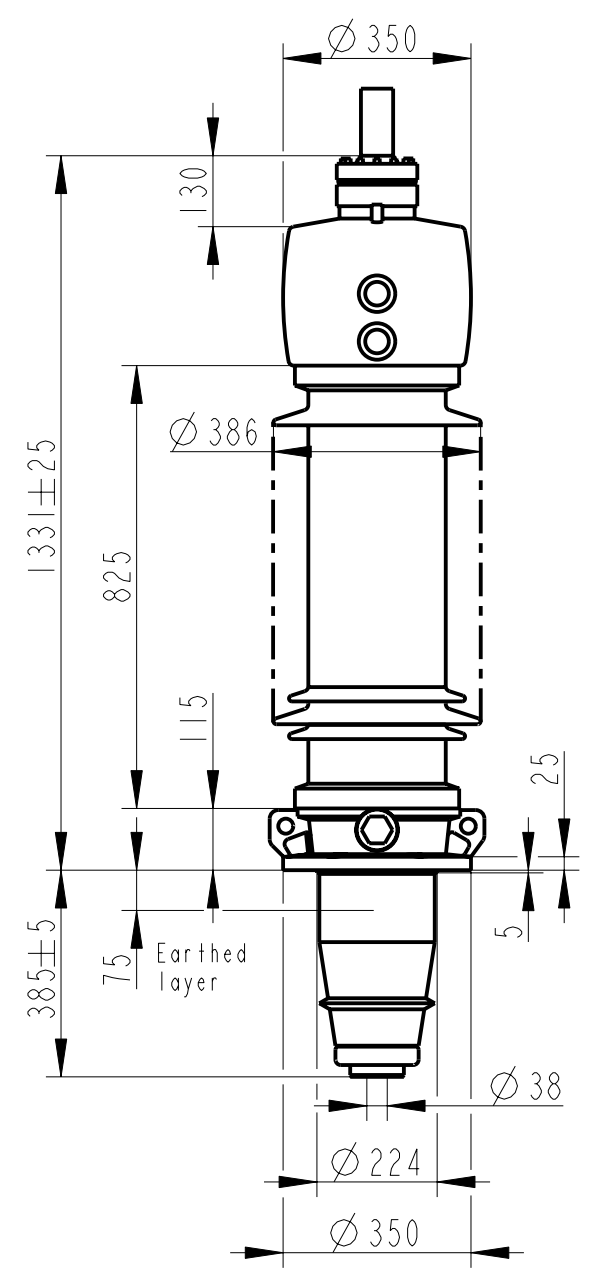
**END-SHIELD**  
 LF170 046-U EPOXY INSULATED  
 LF170 046-UP INSULATED WITH 3 mm PRESSBOARD

**DRAW ROD SYSTEM**  
 LF170 059 LOWER DRAW ROD WITH NI=4 OR NI=6  
 LF170 057 UPPER DRAW ROD

**INNER TERMINAL**

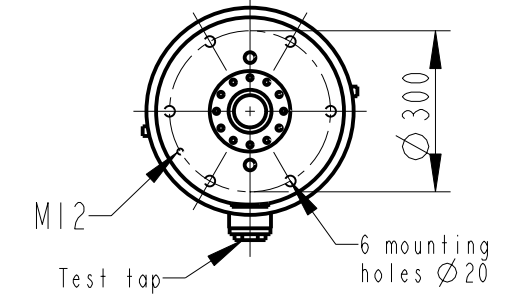
	D3	D9	Cond. area	Current (A)	
	(mm)	(mm)	(mm <sup>2</sup> )	IEC	IEEE
LF170 056-A O *)	35	-	-	-	-
LF170 056-B	15	35	95	390	370
LF170 056-C	30	35	285	1000	830

\*) WITH PILOT HOLE D=5



**ABB Components** Ludvika, Sweden

Urty	Nb.	kv r	A	50-60 Hz
U	kv	SI	kv	AC
M	kg	L	mm	D
C1		pF	Tanδ	z
C2		pF	Tanδ	z



We reserve all rights in this document and in the information contained therein. Reproduction, use or disclosure to third parties without express authority is strictly forbidden. ©ABB

Based on	Reg. No.	Title	
Prepared	Responsible department	<b>GOE-380-300-5000-0</b>	
Approved	Take over department		
Design engineering review	Database	Language	<b>82</b>
<b>ABB</b> ABB Components		Page	<b>1(1)</b>
		Document No.	<b>2751369-54</b>